

## I-LINE Ferrule



### Introduction

I-Line Ferrules that ZHENG YU offers are made by forged or machined from solid bar. It uses a male and female type connection. This makes alignment easier.

The I-Line Clamp is used a special wing nut or two bolt configuration. This design has been preferred by the beverage industry for many years. Male I-Line Short Weld Ferrules-14WI, Male I-Line Long Weld Ferrules-14WLI Female I-Line Short Weld Ferrules-15WI, Male I-Line Long Weld Ferrules-15WLI Male I-Line Solid End Caps-16AI-14I, Female I-Line Solid End Caps-16AI-15I.

It is necessary you specify at the time when orders be placing if heat numbers and MTR's are required.

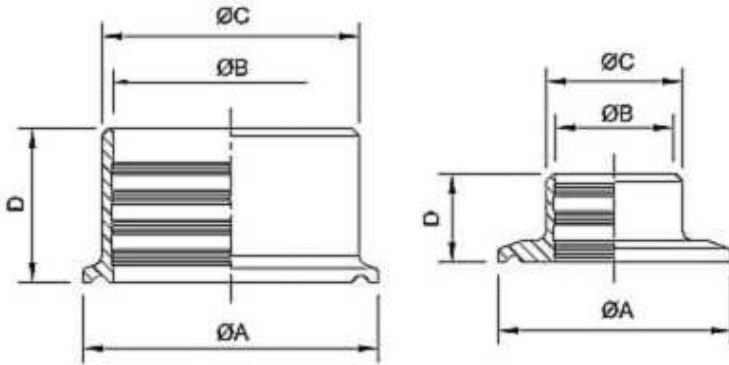
### Specifications:

- \* Material grade: 304 304L 316L
- \* Size range: 1", 1.5", 2", 2.5", 3", 4"

### Order Information:

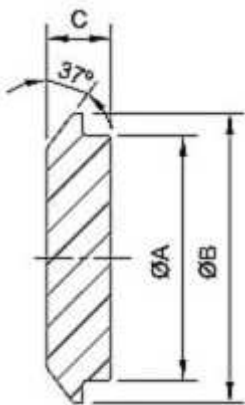
- \* Minimum Order: Negotiable
- \* FOB: Ningbo or Shanghai

### 3A-Expanding Ferrule



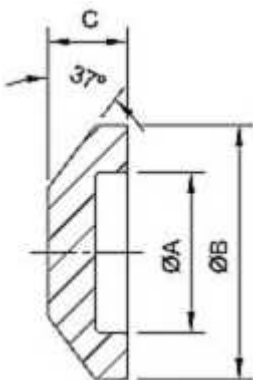
SIZE	A	B	C	D
1.0"	50.5	25.5	29.5	19.1
1.5"	50.5	38.2	42.6	28.6
2.0"	64	50.9	55.7	33.3
2.5"	77.5	63.6	68.8	34.9
3.0"	91	76.3	91.9	36.5
4.0"	119	101.7	108.1	38.1

### 14WI-CAP



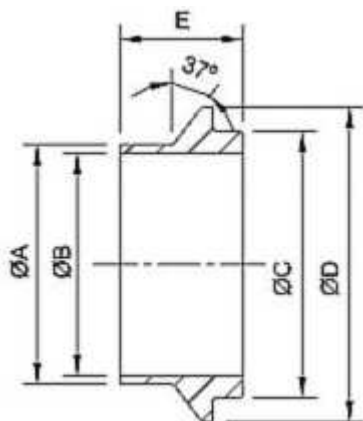
SIZE	A	B	C
1.0"	31.50	50.67	9.7
1.5"	44.20	50.67	9.7
2.0"	56.90	67.05	11.77
2.5"	69.60	84.00	15.52
3.0"	83.82	98.30	16.12
4.0"	109.14	123.70	16.12

### 15WI-CAP



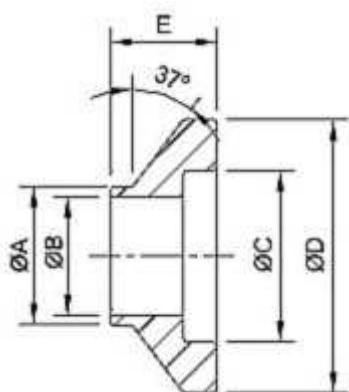
SIZE	A	B	C
1.0"	31.88	50.67	12.75
1.5"	44.58	50.67	12.75
2.0"	57.28	67.05	17.66
2.5"	69.98	84.00	18.77
3.0"	84.20	98.30	19.37
4.0"	109.60	123.70	19.37

## 14WI I-LINE FERRULE



SIZE	A	B	C	D	E
1.0"	25.65	22.10	31.50	50.67	19.84
1.5"	38.35	34.80	44.20	50.67	23.80
2.0"	51.05	47.50	56.90	67.05	26.19
2.5"	63.75	60.20	69.60	84.00	29.36
3.0"	76.45	72.89	83.82	98.30	30.94
4.0"	101.85	97.38	109.14	123.70	34.11

## 15WI I-LINE FERRULE



SIZE	A	B	C	D	E
1.0"	25.65	22.10	31.50	50.67	19.84
1.5"	38.35	34.80	44.20	50.67	23.80
2.0"	51.05	47.50	56.90	67.05	26.19
2.5"	63.75	60.20	69.60	84.00	29.36
3.0"	76.45	72.89	83.82	98.30	30.94
4.0"	101.85	97.38	109.14	123.70	34.11