

## Ferrule adapter



### Introduction

Zhengyu offers wide-range of clamp fittings in 304 and 316L material in sizes from 1/2" to 6". The materials are offered for food, dairy, beverage, meat processing, vacuum processing, pharmaceutical, chemical, and many other industries.

Our products have earned the 3A symbol, which requires an annual assessment to make certain each product conforms in all respects to the published standard.

It is necessary you specify at the time when orders be placing if heat numbers and MTR's are required.

Sanitary 3A Ferrules that Zhengyu offers are made by forged. Service Male NPT Adapters to Clamp End- 21MP, Female NPT Adapters to Clamp End-22MP, Male NPT Adapters to Weld End-B19W, Female NPT Adapters to Weld End-22W, Female NPT Adapters to Clamp End-23BMP, Tank Weld Ferrules (heavy duty)-14MPW, Tygon Hose Adapters-14MPHT, Rubber Hose Adapters-14MPHR.

All of our 3A Ferrules could be conformed with 3A-16AMP Blank End Cap which is made by solid bar, 3A-Clamp and Seal 13PG, 13FG as well as other Adapters.

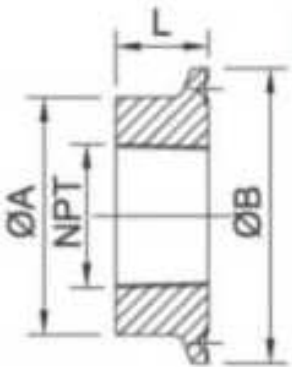
### Specifications:

- \* Material grade: 304 and 316L / 1.4301, 1.4404
- \* Size range: 1/2", 3/4", 1", 1.5", 2", 2.5", 3", 4", 6"

### Order Information:

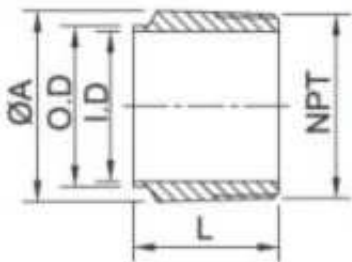
- \* Minimum Order: Negotiable
- \* FOB: Ningbo or Shanghai

## 23BMP THERMOMETER CAP



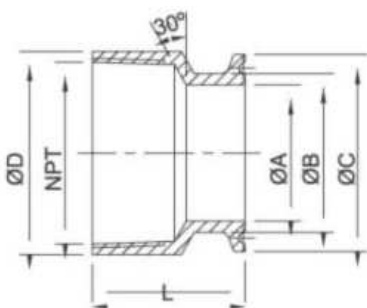
SIZE	A	B	NPT	L
1.0"	25.4	50.5	1/2"-14	15.8
1.5"	38.1	50.5	3/4"-14	15.8
2.0"	50.8	64.0	3/4"-14	15.8
2.5"	63.5	77.5	3/4"-14	15.8
3.0"	76.2	91.0	3/4"-14	15.8
4.0"	101.6	119.0	3/4"-14	15.8

## B19W ADAPTER



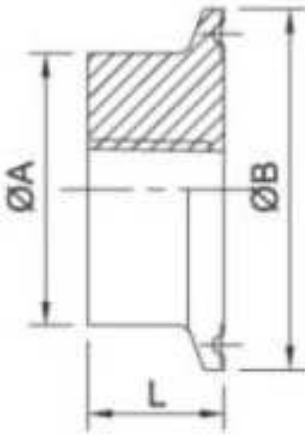
DN	O.D	I.D	A	L	NPT
1.0"	25.4	22.1	44.5	33.4	1.0"-11.5
1.5"	38.1	34.8	44.5	48.3	1.5"-11.5
2.0"	50.8	47.5	46	60.3	2.0"-11.5
2.5"	63.5	60.2	58.7	73.0	2.5"-8
3.0"	76.2	72.9	63.5	88.9	3.0"-8
4.0"	101.6	97.4	65.1	114.3	4.0"-8
6.0"	152.4	146.9	76.2	168.3	6.0"-8

## 22MP FEMALE ADAPTER



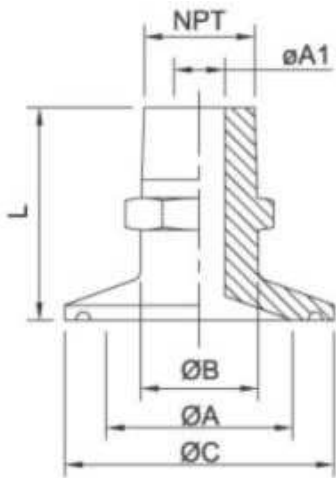
SIZE	A		B	D	E	NPT	L
	1.0"	1.5"					
1.0"&1.5X1.5"	22.2	34.9	38.1	50.5	52	1.5"NPT	39
1.0"&1.5X2.0"	22.2	34.9	38.1	50.5	65	2.0"NPT	39
2.0"X2.0"	47.6		50.8	64	65	2.0"NPT	39
2.5"X2.5"	60.3		63.5	77.5	80	2.5"NPT	50
3.0"X2.5"	73		76.2	91	95	2.5"NPT	50
4.0"X3.0"	73		76.2	91	95	3.0"NPT	52
6.0"X4.0"	97.6		101.6	119	120	4.0"NPT	54

## 22MP FEMALE ADAPTER



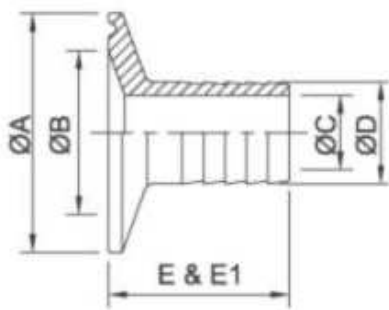
SIZE	A	B	L	NPT
1.0"&1.5"X1/4"	38.1	50.5	19	1/4"NPT
1.0"&1.5"X3/8"	38.1	50.5	19	3/8"NPT
1.0"&1.5"X1/2"	38.1	50.5	19	1/2"NPT
1.0"&1.5"X3/4"	38.1	50.5	19	3/4"NPT
1.0"&1.5"X1.0"	38.1	50.5	19	1"NPT
2.0"X1.0"	50.8	64.0	19	1.0"NPT
2.0"X1.5"	50.8	64.0	19	1.5"NPT
2.5"X1.0"	63.5	77.5	35	1.0"NPT
2.5"X1.5"	63.5	77.5	35	1.5"NPT
2.5"X2.0"	63.5	77.5	35	2.0"NPT
3.0"X1.0"	76.2	91	35	1.0"NPT
3.0"X1.5"	76.2	91	35	1.5"NPT
3.0"X2.0"	76.2	91	35	2.0"NPT
4.0"X1.0"	101.6	119	35	1.0"NPT
4.0"X1.5"	101.6	119	35	1.5"NPT
4.0"X2.0"	101.6	119	35	2.0"NPT
4.0"X2.5"	101.6	119	35	2.5"NPT
4.0"X3.0"	101.6	119	35	3.0"NPT

## 21MP MALE ADAPTER



SIZE	QA1	QA		QB	QC	NPT	L
		1.0"	1.5"				
1.0"&1.5"X1/4"	3.18	22.2	34.9	14	50.5	Q13.25 1/4"18	40
1.0"&1.5"X3/8"	6.35	22.2	34.9	18	50.5	Q16.67 3/8"18	40
1.0"&1.5"X1/2"	9.5	22.2	34.9	22	50.5	Q20.71 1/2"14	40
1.0"&1.5"X3/4"	15.8	22.2	34.9	27	50.5	Q26.03 3/4"14	45
1.0"&1.5"X1.5"	22.2	22.2	34.9	34	50.5	Q32.59 1.0" 11-1/2	50
1.0"&1.5"X1.5"	34.9	22.2	34.9	38.1	50.5	Q47.38 1.5" 11-1/2	50
1.0"&1.5"X2.0"	47.6	22.2	34.9	38.1	50.5	Q59.40 2.0" 11-1/2	55
2.0"X3/4"	15.8	47.6	50.8	64.0	Q26.03 3/4" 14	50	
2.0"X1.0"	22.2	47.6	50.8	64.0	Q32.59 1.0" 11-1/2	50	
2.0"X1.5"	34.9	47.6	50.8	64.0	Q47.38 1.5" 11-1/2	50	
2.0"X2.0"	47.6	47.6	50.8	64.0	Q59.40 2.0" 11-1/2	55	
2.0"X2.5"	60.3	47.6	50.8	64.0	Q71.61 2.5" 8	60	
2.0"X3.0"	73	47.6	50.8	64.0	Q87.39 3.0" 8	70	
2.0"X4.0"	97.6	47.6	50.8	64.0	Q112.63 4.0" 8	75	

## HOSE 14MPHR



SIZE	A	B	C	D	E	E1
1/2"	50.5	34.5	9.50	13.7	38	140
3/4"	50.5	34.5	15.8	21.4	38	140
1.0"	50.5	34.5	20.6	25.4	43	140
1.5"	50.5	34.5	33.2	38.1	43	140
2.0'	64.0	46.0	46.0	50.8	58.7	140
2.5"	77.5	60.3	58.7	63.5	59.5	140
3.0"	91.0	73	72	76.2	78.6	140
4.0"	119	97.6	97.6	101.6	85.5	140