

## 3A Ferrule



### Introduction

The materials are offered for food, dairy, beverage, meat processing, vacuum processing, pharmaceutical, chemical, and many other industries. Our products have earned the 3A symbol, which requires an annual assessment to make certain each product conforms in all respects to the published standard.

It is necessary you specify at the time when orders be placing if heat numbers and MTR's are required.

Sanitary 3A Ferrules that ZHENGYU offers are made by forged. Service Short Weld Ferrules-14WMP, Middle Weld Ferrules-14MMP Long weld ferrules-14AMP (L14AM7), Roll-On Expanding Ferrules-14RMP, Tank Weld Ferrules (light duty)-14WLMP, Tank Weld Ferrules (heavy duty)-14MPW, Tygon Hose Adapters-14MPHT, Rubber Hose Adapters-14MPHR.

All of our 3A Ferrules could be conformed to 3A-16AMP Blank End Cap which is made by solid bar, 3A- Clamp and Seal 13PG, 13FG as well as other Adapters.

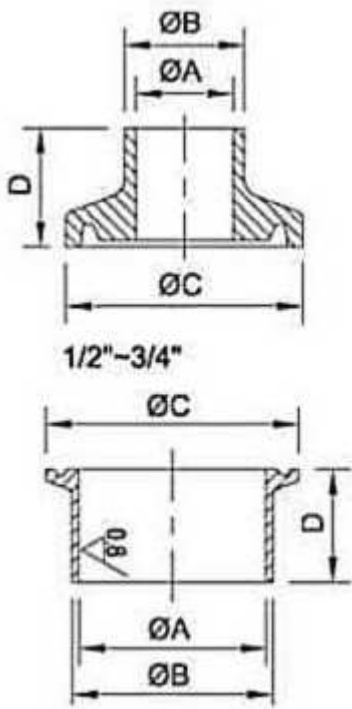
### Specifications:

- \* Material grade: 304, 316L
- \* Size range: 1/2", 3/4", 1", 1.5", 2", 2.5", 3", 4", 6", 8", 10" and 12"
- \* Seal 13PG, 13FG :
  - 13PG: 1/2", 3/4", 1", 1.5", 2", 2.5", 3", 4", 6" and 8".
  - 13FG: 1/2", 3/4", 1", 1.5", 2", 2.5", 3", 4", 6", 8", 10" and 12".(10" and 12" only in Black EPDM and Silicon)
  - EPDM (Black. White is required), Silicon (Clean), PTFE(White)

**Order Information:**

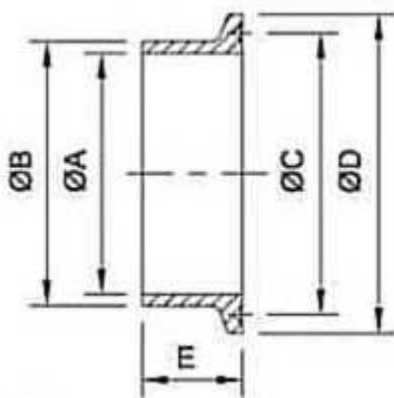
- \* Minimum Order: Negotiable
- \* FOB: Ningbo or Shanghai

**WELDING FERRULE (3A-14WMP 14MMP 14AMP)**



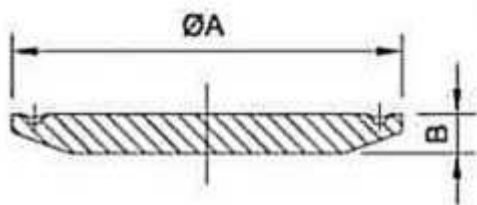
SIZE	A	B	C	D	D	D
1/2"	9.45	12.75	25.2	12.7	21.5	28.6
3/4"	15.75	19.05	25.2	12.7	21.5	28.6
1.0"	22.2	25.4	50.5	12.7	21.5	28.6
DN25	22.5	25	50.5		21.5	28.6
1.5"	34.9	38.1	50.5	12.7	21.5	28.6
DN38	35.5	38	50.5		21.5	28.6
2.0"	47.6	50.8	64.0	12.7	21.5	28.6
DN51	48.5	51	64.0		21.5	28.6
2.5"	60.3	63.5	77.5	12.7	21.5	28.6
DN63.5	60.5	63.5	77.5		21.5	28.6
DN76	72.9	76.1	91.0		21.5	28.6
3.0"	73.0	76.2	91.0	12.7	21.5	28.6
DN104	100	104	119.0		21.5	28.6
4.0"	97.6	101.6	119.0	15.8	21.5	28.6
6.0"	146.8	152.5	166.8		21.5	28.6 OR 38.1
8.0"	197.6	203.3	217.7		21.5	28.6 OR 38.1
10"	247.2	254.1	268.5		21.5	28.6 OR 38.1
12"	298	304.9	319.3		21.5	28.6 OR 38.1

**WELDING FERRULE (14MPW)**



SIZE	A	B	C	D	E
1.0"	22.1	29.5	43.5	50.5	20.0
1.5"	34.8	42.6	43.5	50.5	20
2.0"	47.5	55.7	56.5	64.0	20
2.5"	60.2	68.8	70.5	77.5	20
3.0"	72.9	81.9	83.5	91.0	20
4.0"	97.4	108.1	110.0	119.0	20

BLANK 3A-16AMP



SIZE	A	B
A37	34	6.3
1/2"-3/4	25.2	5
1"-1.5"	50.5	6.3
2.0"	64.0	6.3
2.5"	77.5	6.3
3.0"	91.0	6.3
4.0"	119.0	7.9
6.0"	166.8	11.1
8.0"	217.7	11.1
10"	268.5	11.1
12"	319.3	11.1